

## PROBE-TYPE PRESSURE TRANSDUCERS

MP100 – CONSTANT VOLTAGE EXCITED  
MP101 – CONSTANT CURRENT EXCITED

### GENERAL

- Small diameter, high stability water/liquid level pressure transducers for remote interrogation (dams, wells)
- Made of **corrosion resistant titanium** (6AL4V) – excellent performances with corrosive media
- **Absolute** or **sealed reference** options
- **Long term stability** options
- Available with cable lengths **up to 300 meters**; greater lengths are possible through splicing
- **Titanium armour** at the cable exit to improve cable pull strength while retaining a liquid seal
- Available with **moisture insulator** located near the end of the cable, to eliminate inter-conductor condensation



### MECHANICAL

Standard pressure ranges	1	2	3.5	7	15	20	bar
	15	25	50	100	200	300	psi

Other possible pressure ranges	Consult Factory
Over Pressure (No change out of spec.)	2 x Range
Usable Pressure (Small change in balance)	3 x Range
Burst Pressure	6 x Range

#### HAPTICA S.r.l.

# PROBE-TYPE PRESSURE TRANSDUCERS

## PERFORMANCE

OPTIONS (ALL VALUES MAXIMUM)

Performance Option	A	B	C	D	E	
Balance (Zero)	$< \pm 3.00$	$< \pm 2.00$	$< \pm 1.00$	$< \pm 3.00$	$< \pm 5.00$	mV
Full Scale Sensitivity MP100	$10.0 \pm 2.0$	$10.0 \pm 1.0$	$10.0 \pm 0.5$	$10.0 \pm 3.0$	$10.0 \pm 5.0$	mV/V
Full Scale Sensitivity MP101	$12.5 \pm 2.0$	$12.5 \pm 1.0$	$12.5 \pm 0.5$	$12.5 \pm 3.0$	$12.5 \pm 5.0$	mV/mA
Static Error Band	$\pm 0.50$	$\pm 0.25$	$\pm 0.100$	$\pm 0.250$	$\pm 0.50$	% FS (BFSL)
Thermal Balance (Zero) Shift	$\pm 0.036$	$\pm 0.018$	$\pm 0.009$	$\pm 0.009$	$\pm 0.036$	% FS/°C
Thermal Sensitivity Shift	$\pm 0.036$	$\pm 0.018$	$\pm 0.009$	$\pm 0.009$	$\pm 0.036$	% FS/°C
Long Term Stability (std)	$< \pm 2$	$< \pm 2$	$< \pm 2$	$< \pm 2$	$< \pm 2$	% FS/yr

## ENVIRONMENTAL

Storage and Operating Temperature	-54°C to +93° C
Compensated Temperature Range (Consult factory for other ranges)	0°C to +55°C
Acceleration (Consult factory for high vibration options)	100g's any axis
Media Compatibility (wetted surface)	Titanium 6AL4V

## ELECTRICAL

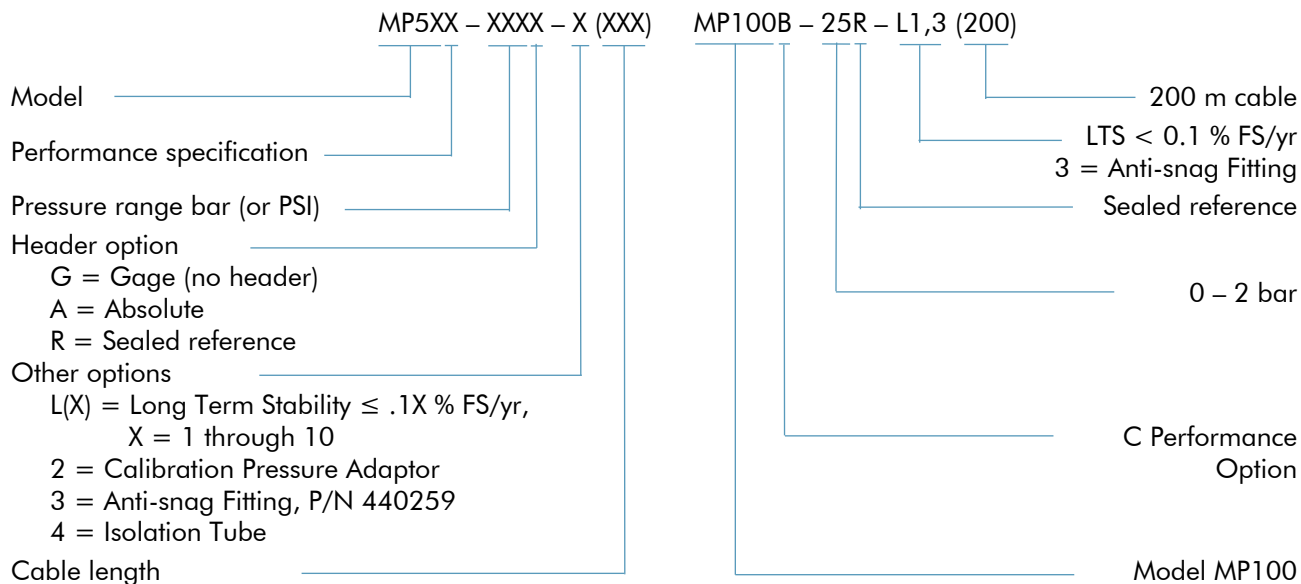
	MP 100	MP 101
Input Constant Voltage Excited [V DC or AC]	0 – 10	-
Input Constant Current Excited [mA DC or AC]	-	8
Maximum Voltage (for short periods) [V]	40	40
Input Resistance [ $\Omega$ ]	$1600 \pm 400$	$400 \pm 100$
Output Resistance [ $\Omega$ ]	$450 \pm 100$	-
Insulation Resistance Minimum @50 VDC [ $M\Omega$ ]	50	50

### HAPTICA S.r.l.

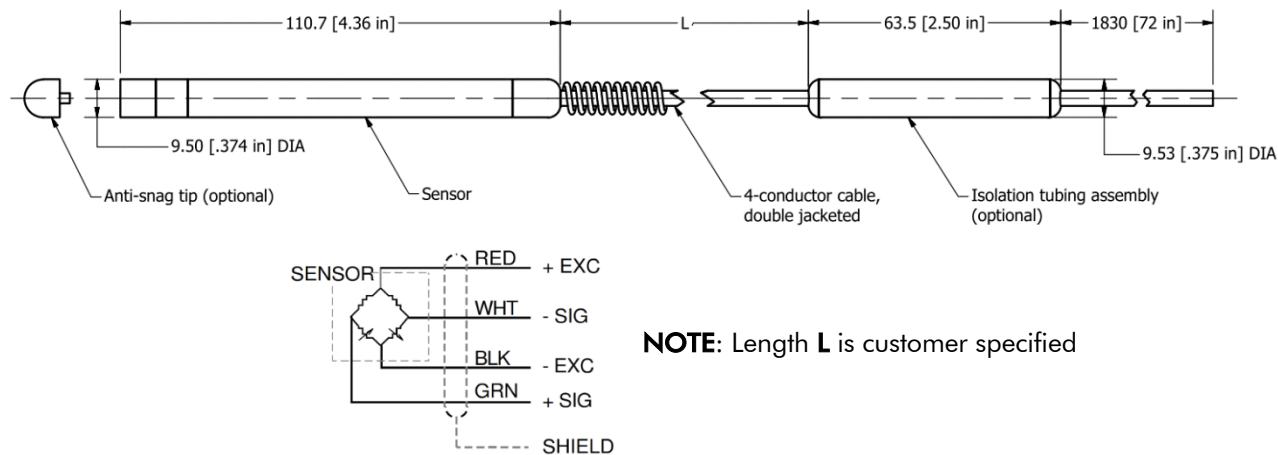
Place of business: Via Grazioli 2, 21052 Busto Arsizio (VA) Italy, - Registered office: Via Podgora 15, 20122 Milan, Italy  
Website [www.hapticasensing.com](http://www.hapticasensing.com) - Email [info@hapticasensing.com](mailto:info@hapticasensing.com) - Phone +39 329 338 8201 / +39 0331 314395

# PROBE-TYPE PRESSURE TRANSDUCERS

## ORDERING FORMAT EXAMPLE



## OUTLINE



### HAPTICA S.r.l.

Place of business: Via Grazioli 2, 21052 Busto Arsizio (VA) Italy, - Registered office: Via Podgora 15, 20122 Milan, Italy  
 Website [www.hapticasensing.com](http://www.hapticasensing.com) - Email [info@hapticasensing.com](mailto:info@hapticasensing.com) - Phone +39 329 338 8201 / +39 0331 314395